
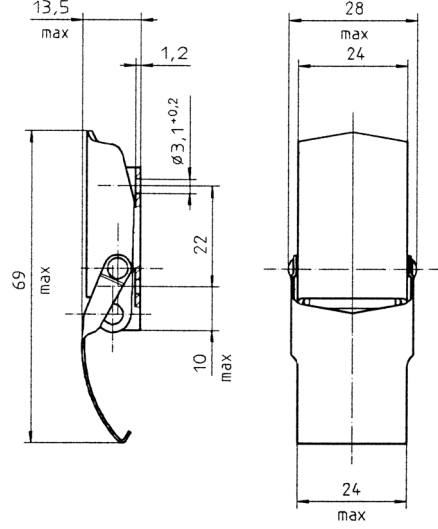

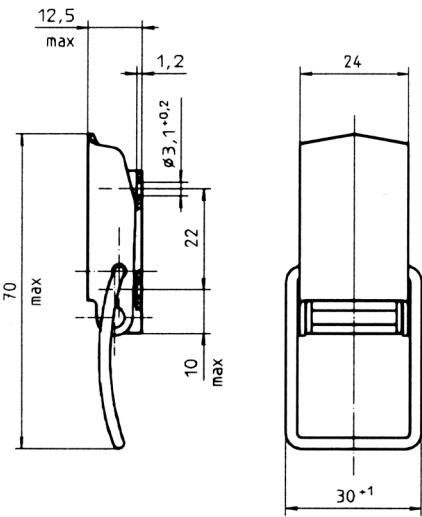



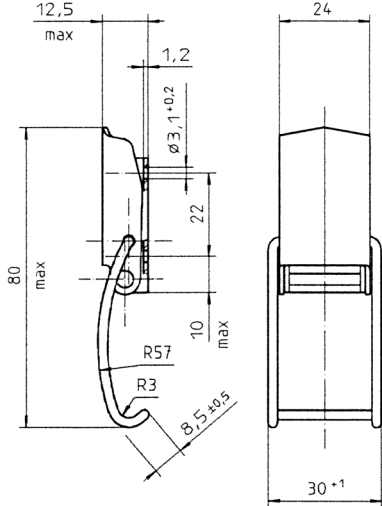

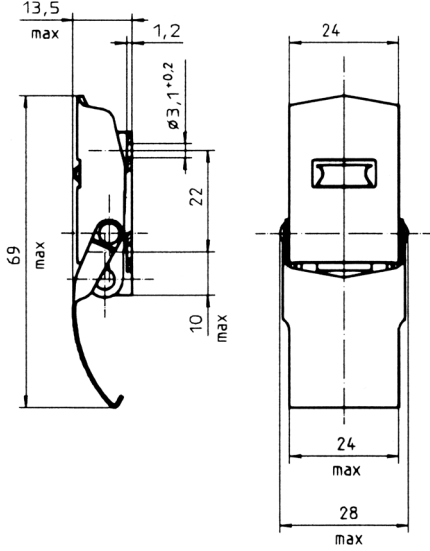
Max. tensile strength 1.500 N, working load up to 1.000 N, see footnotes.
Available with secondary lock
Three different drawhook types available

Style	Dimensions	Materials / Finish	D	Part No.
Spring steel drawhook 		Steel / zinc-plated, CrVI-free, clear passivation ¹⁾	3,1	1429L02-1-1AG
		Stainless steel ²⁾	3,1	1429L02-1-1BP
Wire drawhook 		Steel / zinc-plated, CrVI-free, clear passivation ¹⁾	3,1	1429L02-2-1AG
		Stainless steel ³⁾	3,1	1429L02-2-1BP

¹⁾ Max. tensile strength: 450 N with 1429L8-1AG strike, working load 330 N.

²⁾ Max. tensile strength: 300 N with 1429L8-1BP strike, working load 210 N.


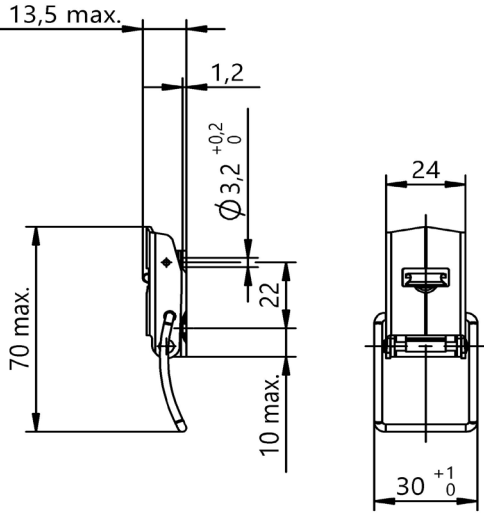
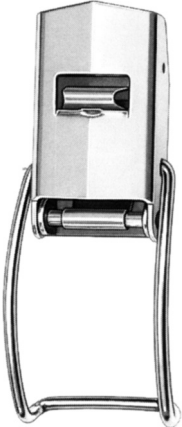
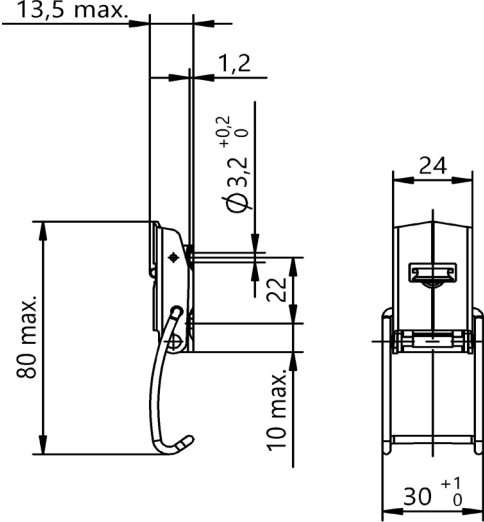
³⁾ Max. tensile strength: 1.500 N with 1429L9-1AG / -1BP strike, working load 1.000 N.

Style	Dimensions	Materials / Finish	D	Part No.
Hooked wire drawhook 		Steel / zinc-plated, CrVI-free, clear passivation ¹⁾	3,1	1429L02-3-1AG
		Stainless steel ¹⁾	3,1	1429L02-3-1BP
Spring steel drawhook and secondary lock 		Steel / zinc-plated, CrVI-free, clear passivation ²⁾	3,1	1429L02-1X1AG
		Stainless steel ³⁾	3,1	1429L02-1X1BP

¹⁾ Max. tensile strength: 1.100 N with 1429L9-1AG / -1BP strike, working load 800 N.
or in conjunction with mating component profile.


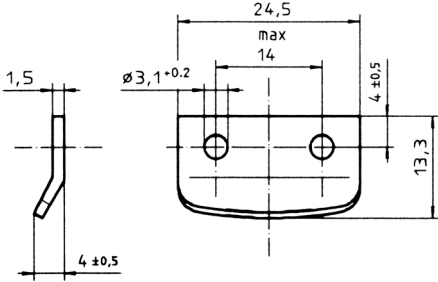

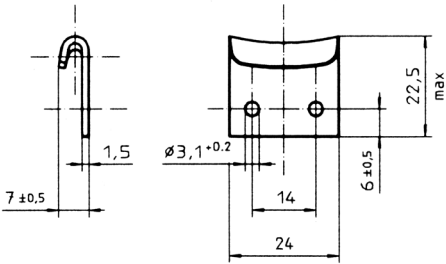
²⁾ Max. tensile strength: 450 N with 1429L8-1AG strike, working load 330 N.

³⁾ Max. tensile strength: 300 N with 1429L8-1BP strike, working load 210 N.

Style	Dimensions	Materials / Finish	D	Part No.
Wire drawhook and secondary lock 		Steel / zinc-plated, CrVI-free, clear passivation ¹⁾	3,1	1429L02-2X1AG
		Stainless steel ¹⁾	3,1	1429L02-2X1BP
Hooked wire drawhook and secondary lock 		Steel / zinc-plated, CrVI-free, clear passivation ²⁾	3,1	1429L02-3X1AG
		Stainless steel ²⁾	3,1	1429L02-3X1BP

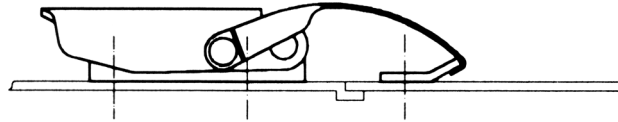
¹⁾ Max. tensile strength: max. 1.500 N with 1429L9-1AG / -1BP strike, working load 1.000 N.

²⁾ Max. tensile strength: max. 1.100 N with 1429L9-1AG / -BP strike, working load 800 N.
or in conjunction with mating component profile.

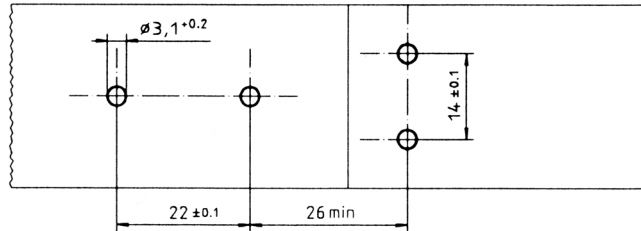
Style	Dimensions	Materials / Finish	D	Part No.
<p>For use with spring steel drawhook</p> 		<p>Steel / zinc-plated, CrVI-free, clear passivation</p> <p>Stainless steel</p>	<p>3,1</p> <p>3,1</p>	<p>1429L8-1AG</p> <p>1429L8-1BP</p>
<p>For use with wire drawhook</p> 		<p>Steel / zinc-plated, CrVI-free, clear passivation</p> <p>Stainless steel</p>	<p>3,1</p> <p>3,1</p>	<p>1429L9-1AG</p> <p>1429L9-1BP</p>

Dimensions

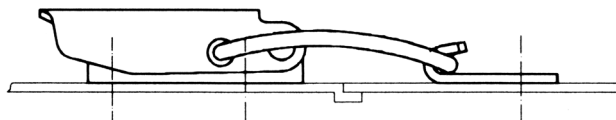
Spring steel drawhook tension latch / strike



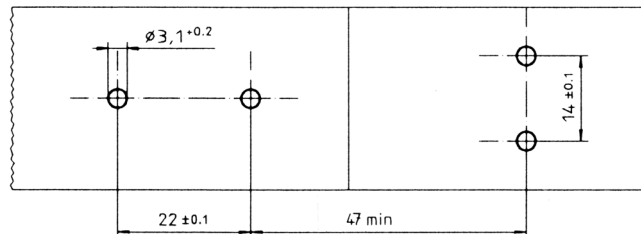
1429L02-1-^{*}
1429L8-^{*}



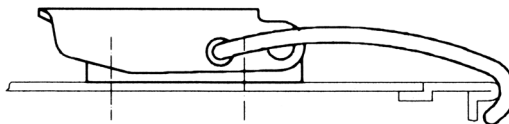
Wire drawhook tension latch / strike



1429L02-2-^{*}
1429L9-^{*}



Hooked wire drawhook tension latch / mating component profile



1429L02-3-^{*}
(1429L9-^{*})

