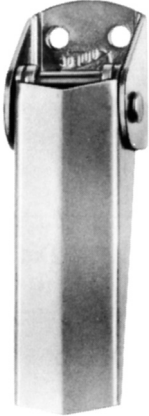
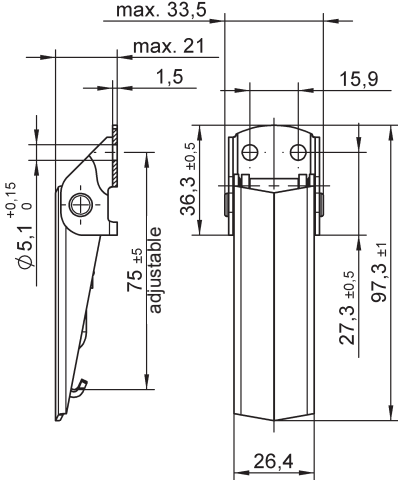
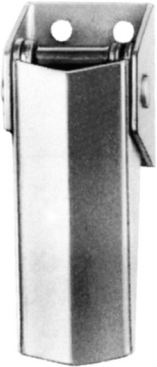
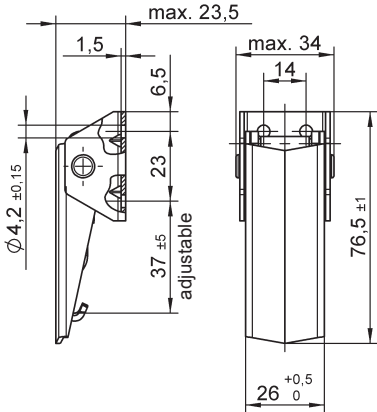
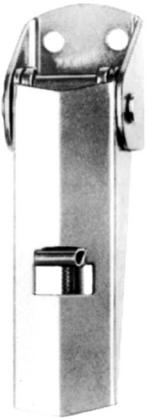
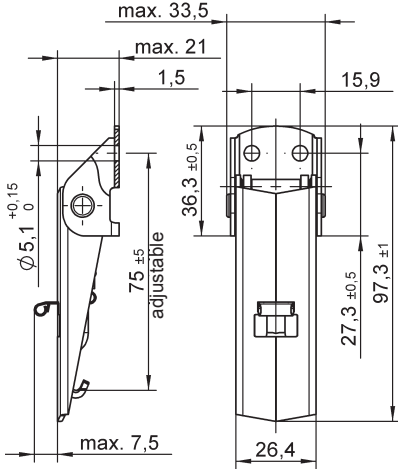
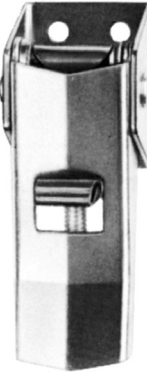
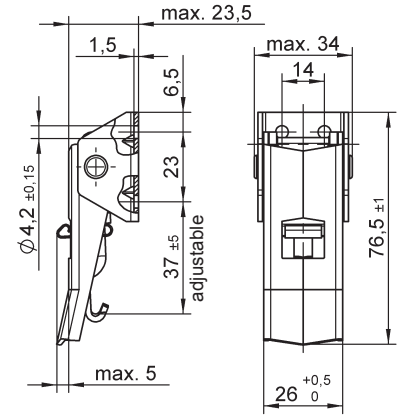
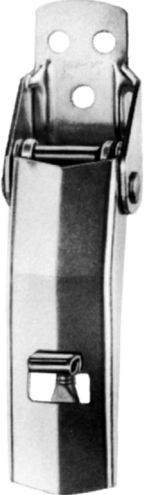
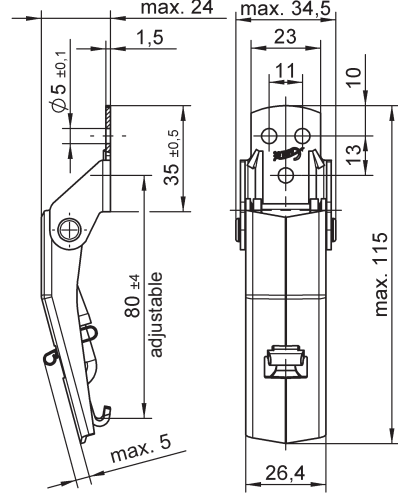


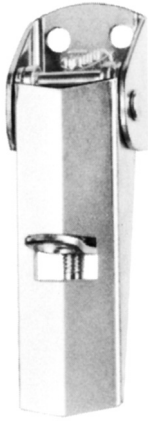
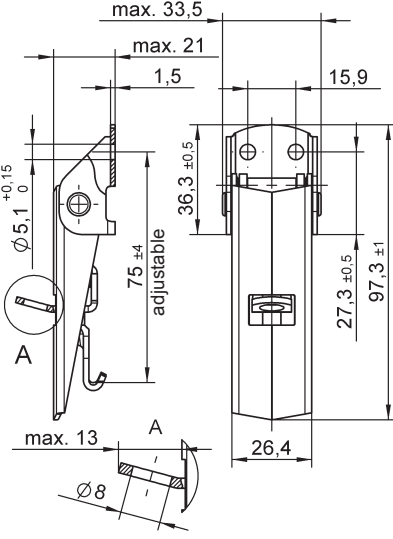
Max. tensile strength 3.600 N, working load max. 2.700 N, see footnotes.
Adjustable drawhook
Available with secondary lock and hasp

Style	Dimensions	Materials / Finish	Mounting Type ¹⁾	D	Part No.
Open base 		Steel / zinc-plated, CrVI-free, clear passivation ²⁾	N	5,1	V917L01-1-1AG
		Stainless steel ³⁾	N	5,1	V917L01-1-1BP
High base 		Steel / zinc-plated, CrVI-free, clear passivation ²⁾	N	4,2	V17L12-1-1AA

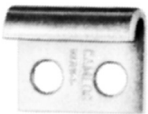
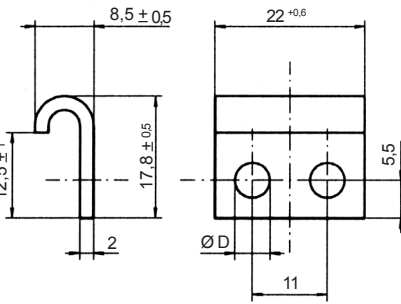

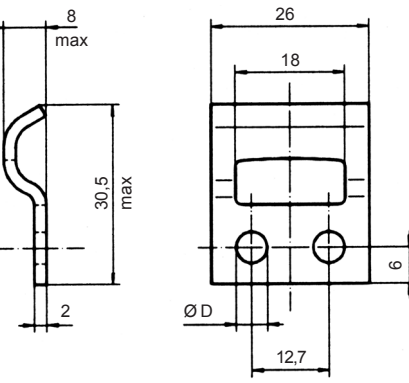
- ¹⁾ Mounting type: N = With hole for riveting or screw fixing
S = Without holes, for welding
- ²⁾ Max. tensile strength: 3.200 N with V917L11-1- *AG strike, working load 2.200 N.
2.200 N with V951L50-1- *AGV strike, working load 1.500 N.
- ³⁾ Max. tensile strength: 3.600 N with V951L50-1- *BP strike, working load 2.700 N.
max. 2.300 N with V917L11-1-1BP strike, working load 1.550 N.

Style	Dimensions	Materials / Finish	Mounting Type ¹⁾	D	Part No.
Secondary lock, open base 		Steel / zinc-plated, CrVI-free, clear passivation ²⁾	N	5,1	V917L01-1X1AG
		Stainless steel ³⁾	N	5,1	V917L01-1X1BP
		Stainless steel ³⁾	S	-	V917L01-1X2BP
		Stainless steel V4A ³⁾	N	5,1	V917L01-1X1CP
		Stainless steel V4A ³⁾	S	-	V917L01-1X2CP
Secondary lock, high base 		Steel / zinc-plated, CrVI-free, clear passivation ²⁾	N	4,2	V17L12-2X1AA
Secondary lock, for curved surfaces (R min = 125 mm) 		Steel / zinc-plated, CrVI-free, clear passivation ²⁾	N	5,0	1449L02-1X1AG
		Stainless steel ³⁾	N	5,0	1449L02-1X1BP

For footnotes refer to page G-1.

Style	Dimensions	Materials / Finish	Mounting Type ¹⁾	D	Part No.
<p>Open base, with hasp</p> 		Steel / zinc-plated, CrVI-free, clear passivation ²	N	5,1	V917L01-1Y1AG

Strikes

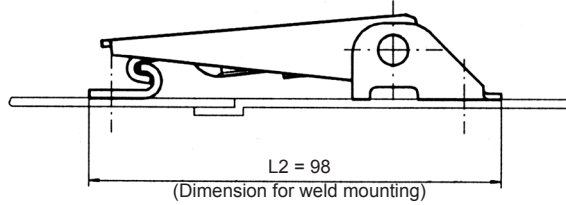
Style	Dimensions	Materials / Finish	Mounting Type ¹⁾	D	Part No.
<p>Open</p> 		Steel / zinc-plated, CrVI-free, clear passivation	N	5,1	V917L11-1-1AG
		Steel / zinc-plated, CrVI-free, clear passivation	N	4,2	V917L11-1-3AG
		Stainless steel	N	5,1	V917L11-1-1BP
<p>Closed</p> 		Steel / zinc-plated, CrVI-free, clear passivation	N	4,2	V951L50-1AGV
		Steel / zinc-plated, CrVI-free, clear passivation	N	5,1	V951L50-5AGV
		Stainless steel	N	4,2	V951L50-1BP
		Stainless steel	S	-	V951L50-3BP

For footnotes refer to page G-1.

Dimensions

Open-base tension latch / open strike

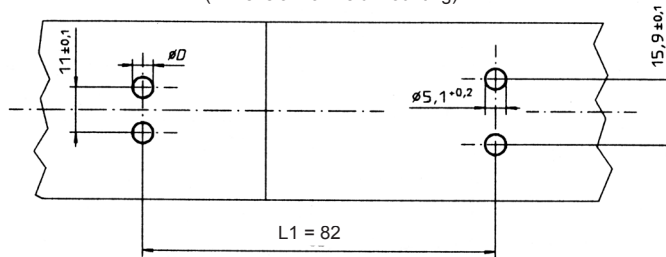
Type	L2	L2 min.	L2 max.
1-1	98	-10,5	+3,5
1Y1		-5,5	+3,5
1X1		-4,5	+2,5



V917L01-*

V917L11-*

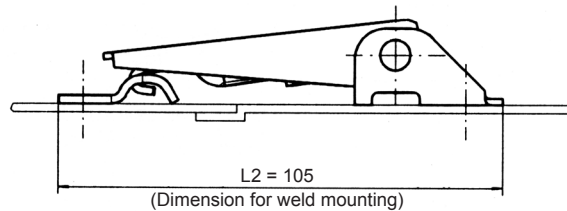
Type	L1	L1 min.	L1 max.
1-1	82	-9	+5
1Y1		-4	+5
1X1		-3	+4



Select diameter D in accordance with the strike style.

Open-base tension latch / closed strike

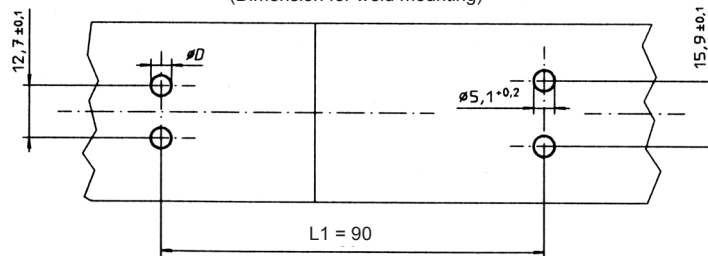
Type	L2	L2 min.	L2 max.
1-1	105	-9	+5
1Y1		-5	+5
1X1		-4	+3



V917L01-*

V951L50-*

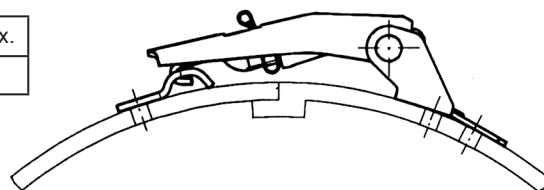
Type	L1	L1 min.	L1 max.
1-1	90	-9	+5
1Y1		-5	+5
1X1		-4	+3



Select diameter D in accordance with the strike style.

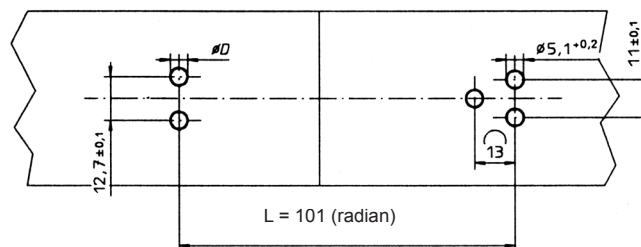
Tension latch for curved surfaces

Type	L	L min.	L max.
1X1	101	-8	-



1449L02-*

V951L50-*

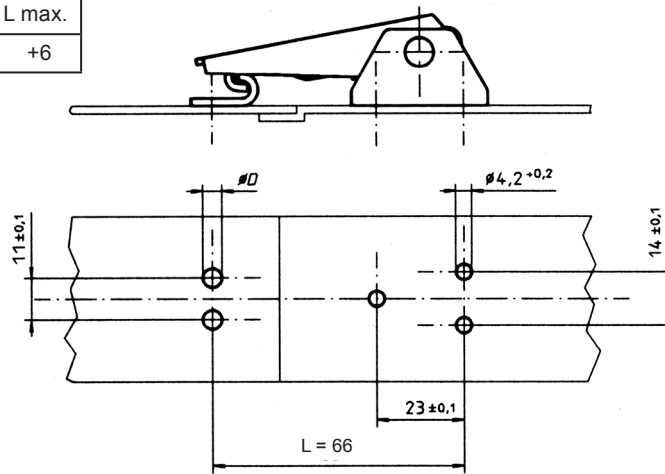


Select diameter D in accordance with the strike style.

Dimensions

High-base tension latch / open strike

Type	L	L min.	L max.
2X1	66	-4	+6



V17L12-*

V917L11-*

Select diameter D in accordance with the strike style.