
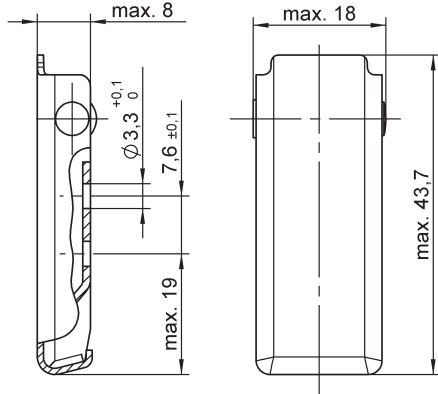

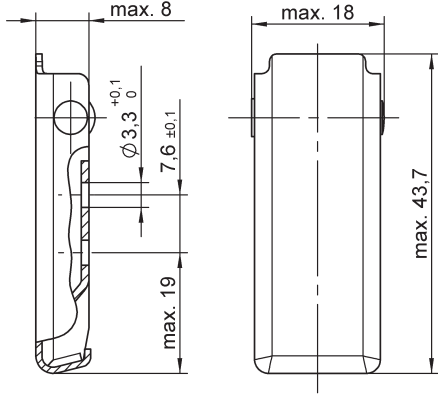
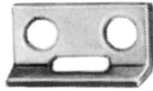
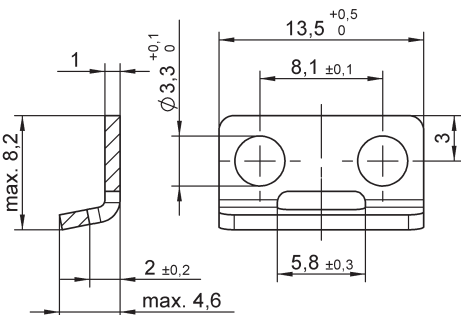


Max. tensile strength 445 N, working load 220 N
Handle conceals all interior parts and strike
Self-compensating spring steel drawhook

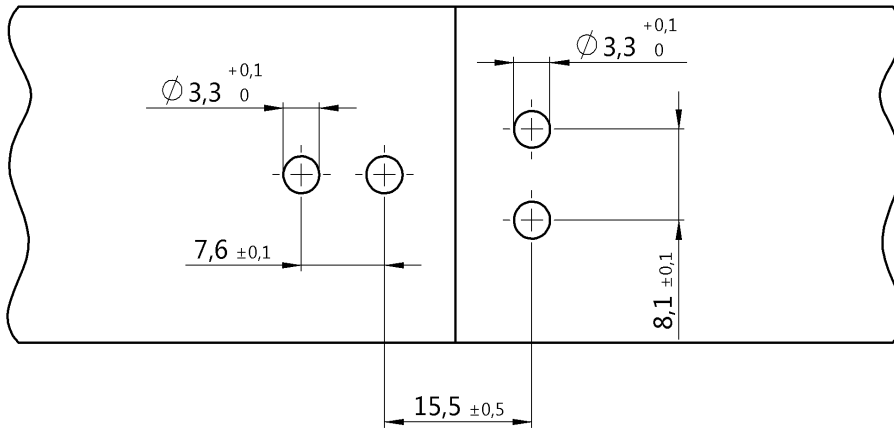
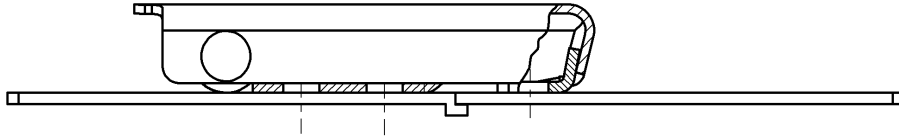
Style	Dimensions	Materials / Finish	Part No.
<p>Self-compensating spring steel drawhook</p> 		Stainless steel	V95L07-1-1BC
<p>Self-compensating spring steel drawhook</p> 		Steel / chrome-plated Interior parts: Steel / zinc-plated, CrVI-free, clear passivation	V95L15-1BD

Strike


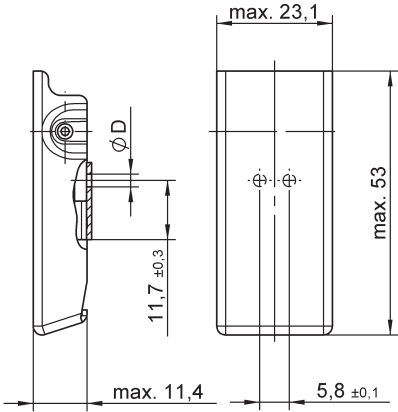
Style	Dimensions	Materials / Finish	Part No.
		Stainless steel	V95H07-1-1BP

Dimensions

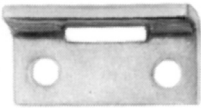
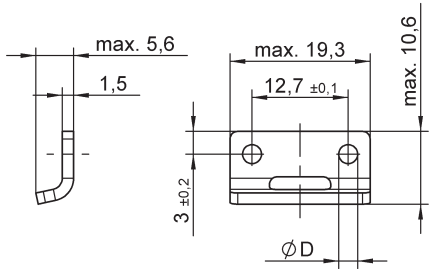
Spring steel drawhook tension latch / strike



Max. tensile strength 1.000 N, working load 650 N.
Handle conceals all interior parts and strike
Self-compensating spring steel drawhook

Style	Dimensions	Materials / Finish	D	Part No.
Self-compensating spring steel drawhook 		Steel / zinc-plated, CrVI-free, clear passivation	2,5	V96L01-1-1A0
			3,2	V96L01-1-2A0
		Steel / chrome-plated Interior parts: Steel / zinc-plated, CrVI-free, clear passivation	2,5	V96L01-1-1AG
			3,2	V96L01-1-2AG

Strike

Style	Dimensions	Materials / Finish	D	Part No.
		Steel / zinc-plated, CrVI-free, clear passivation	2,5	V96H01-1-1A0
			3,2	V96H01-1-2A0