
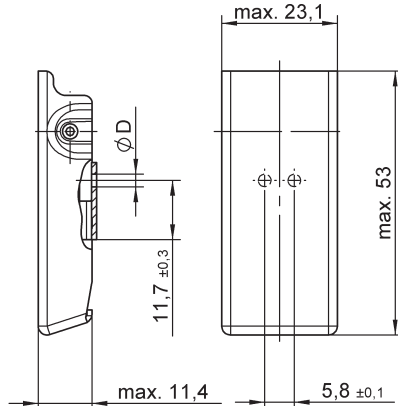
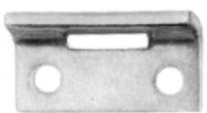
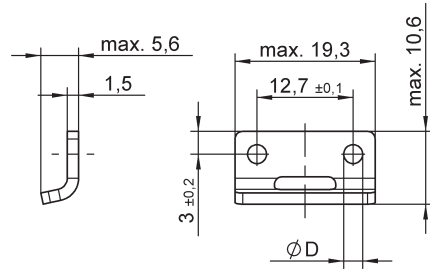


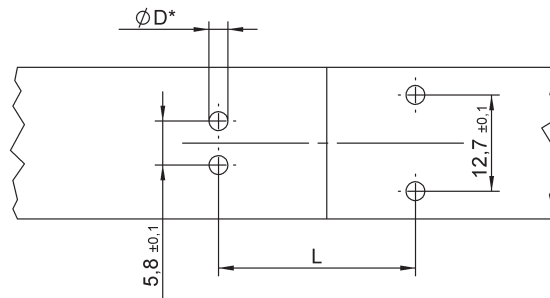
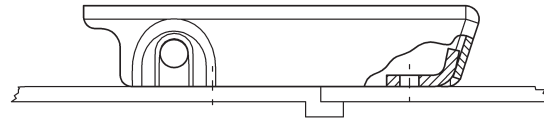
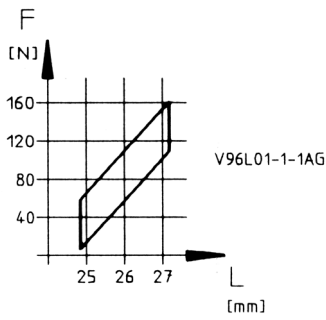
Max. tensile strength 1.000 N, working load 650 N.
Handle conceals all interior parts and strike
Self-compensating spring steel drawhook

Style	Dimensions	Materials / Finish	D	Part No.
Self-compensating spring steel drawhook 		Steel / zinc-plated, CrVI-free, clear passivation	2,5	V96L01-1-1A0
			3,2	V96L01-1-2A0
		Steel / chrome-plated Interior parts: Steel / zinc-plated, CrVI-free, clear passivation	2,5	V96L01-1-1AG
			3,2	V96L01-1-2AG

Strike

Style	Dimensions	Materials / Finish	D	Part No.
		Steel / zinc-plated, CrVI-free, clear passivation	2,5	V96H01-1-1A0
			3,2	V96H01-1-2A0

Dimensions



* Ø D see selected version.