

### Features

- Max. tensile strength 1.400 N, working load 1.200 N.
- Easy and economic clip-in installation for stud and receptacle.
- Also suitable for automatic installation.
- 1/4 turn to open – close with a push of the finger.

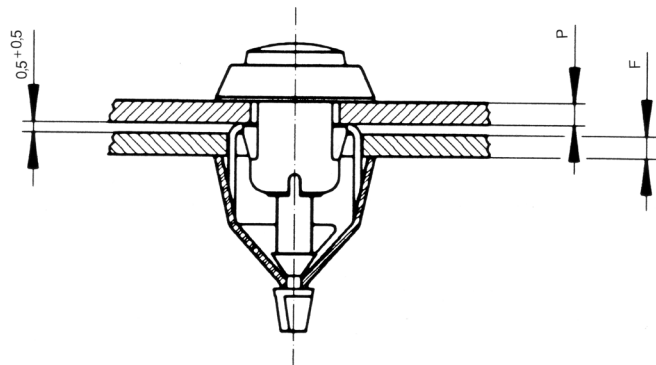
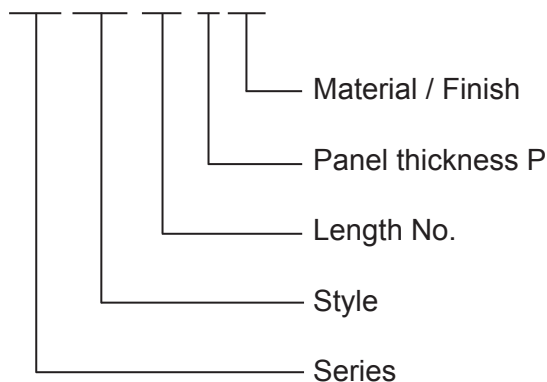
### Selection Instructions

- Select stud assembly according to panel thickness P, page M-2 and spring clip according to frame thickness F, page M-3.
- Select stud length number from panel thickness P using table below, insert into stud part number \* (e.g. 716S12-\* -1BP).

### Part no. example

Stud, slotted recess head


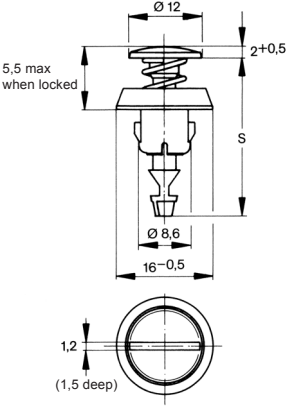

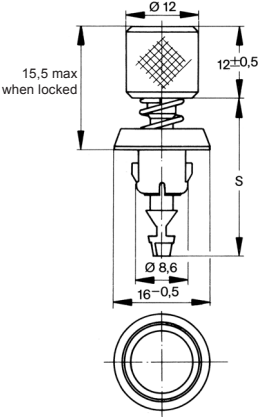
**716 S12 -03 -2BP**



### Stud Length Table

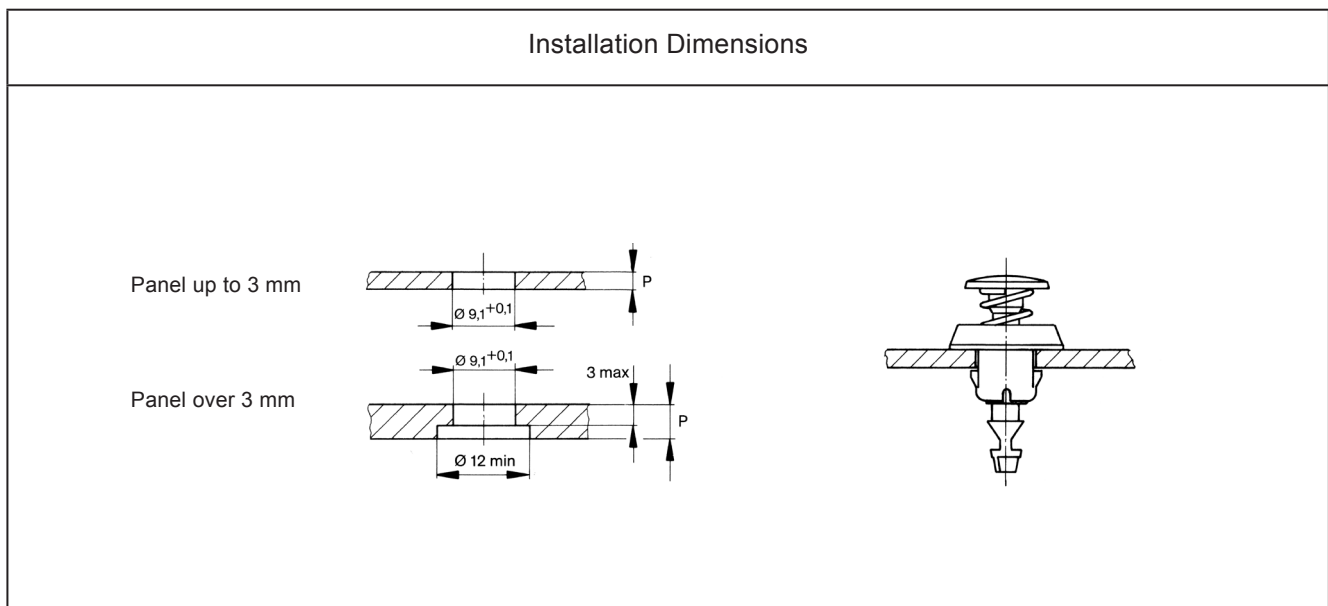
Panel Thickness P	Stud Length No.
1,0 - 2,0	02
2,0 - 3,0	03
3,0 - 4,0	04
4,0 - 5,0	05
5,0 - 6,0	06
6,0 - 7,0	07
7,0 - 8,0	08
8,0 - 9,0	09
9,0 - 10,0	10

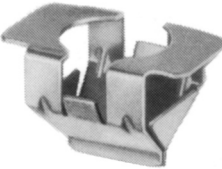
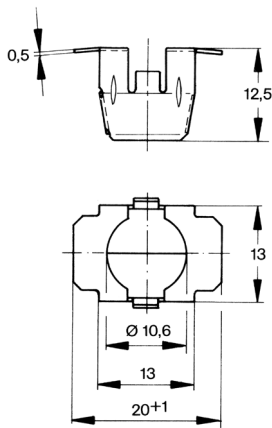
Other lengths on request.

Style	Dimensions	Materials / Finish	Panel Thickness P	°C	Part No.
<b>Slotted Recess Head</b>  	 <p>S = 18,5 + length no.</p>	Stainless steel Spring cup: Plastic (POM)/black	0,5 - 1,0	-25 up to +90	<b>716S12- *-1BP</b>
			1,0 - 1,5		<b>716S12- *-2BP</b>
			1,5 - 2,0		<b>716S12- *-3BP</b>
			2,0 - 2,5		<b>716S12- *-4BP</b>
			2,5 - 3,0		<b>716S12- *-5BP</b>
<b>Knurled Head</b>  	 <p>S = 18,5 + length no.</p>	Stainless steel Spring cup: Plastic (POM)/black	0,5 - 1,0	-25 up to +90	<b>716S13- *-1BP</b>
			1,0 - 1,5		<b>716S13- *-2BP</b>
			1,5 - 2,0		<b>716S13- *-3BP</b>
			2,0 - 2,5		<b>716S13- *-4BP</b>
			2,5 - 3,0		<b>716S13- *-5BP</b>

\* Length no. from Table, page M-1.

## Stud Installation Instructions



Style	Dimensions	Materials / Finish	Frame Thickness F	°C	Part No.
<b>Spring Clip</b>  		Stainless steel	1,0 - 1,5	-25 up to +90  (See stud assembly)	<b>720R01-1B</b>
			1,5 - 2,0		<b>720R01-2B</b>
			2,0 - 2,5		<b>720R01-3B</b>
			2,5 - 3,0		<b>720R01-4B</b>

## Installation Instructions

Installation Dimensions
