
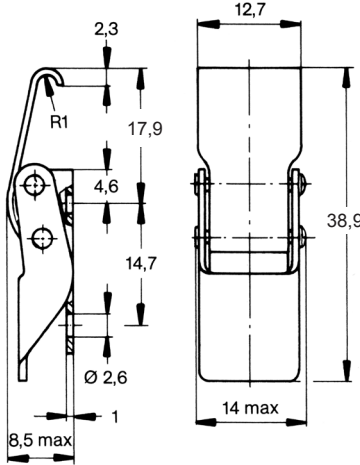

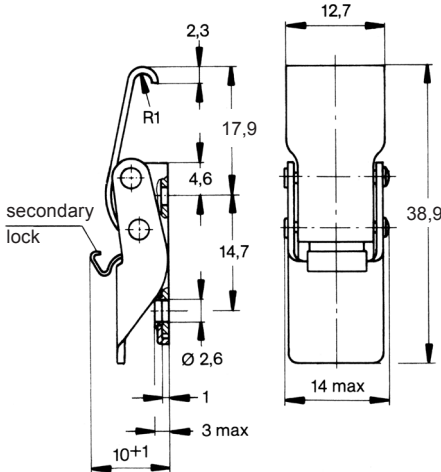

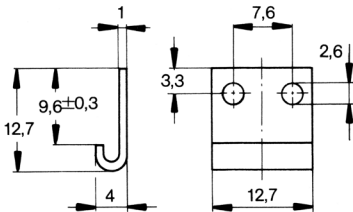


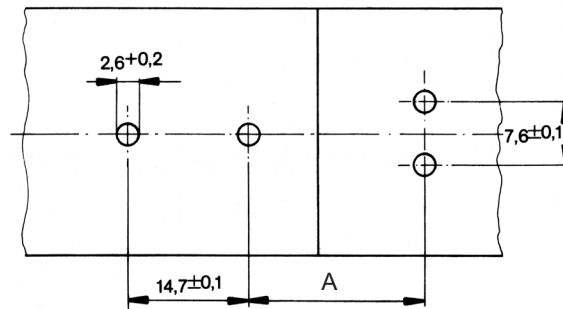
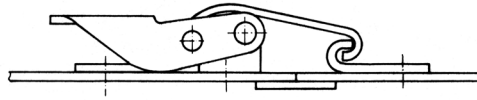
Max. tensile strength 550 N  
Working load 310 N

Style	Dimensions	Materials / Finish	Part No.
		Stainless steel  Steel / zinc-plated, CrVI-free, clear passivation	<b>V934L01-1-1BP</b>  <b>V934L01-1-1AGV</b>
<b>With secondary lock</b> 		Stainless steel  Steel / zinc-plated, CrVI-free, clear passivation	<b>V934L01-1X1BP</b>  <b>V934L01-1X1AGV</b>

## Strikes

Style	Dimensions	Materials / Finish	D	Part No.
		Stainless steel <sup>1)</sup>  Steel / zinc-plated, CrVI-free, clear passivation	2,6	<b>V934L02-1BP</b>  <b>V934L02-1AGV</b>

Dimensions



A = min. 23,7 mm, please take into account the application preload and tolerance requirements