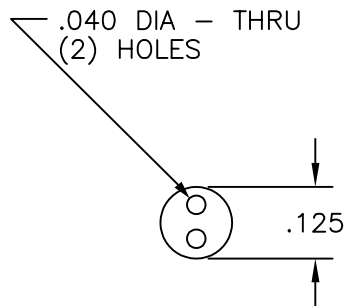


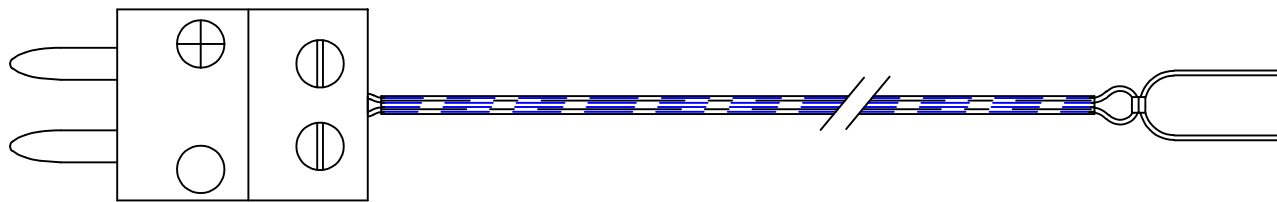
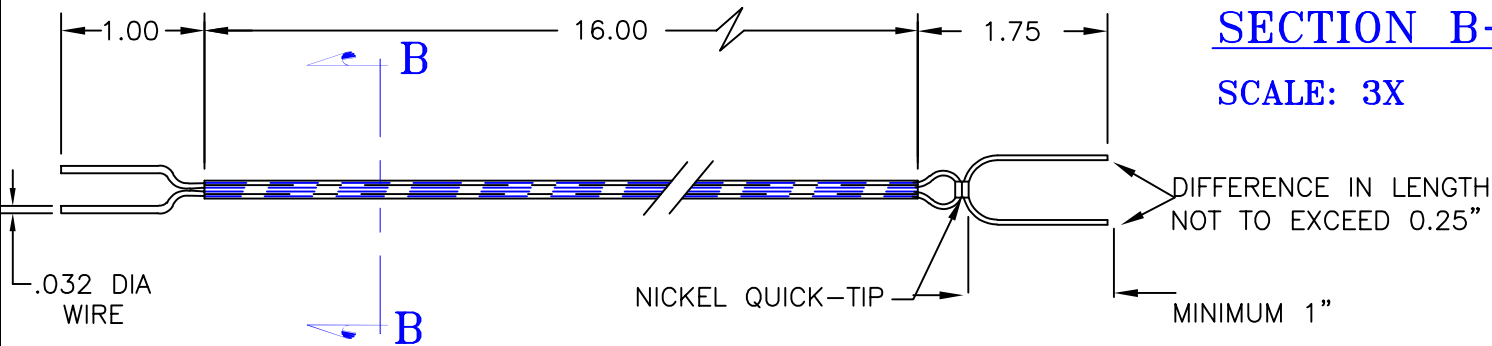
18" MECHANICAL TESTING THERMOCOUPLE ASSEMBLY

- ONE THERMOCOUPLE PER ASSEMBLY.
- TYPE K - CHROMEL VERSUS ALUMEL (SPECIAL LIMITS)
- 20 GAGE (.032 DIAMETER) WIRE 19" LONG
- Ø - TWO BORE CORDIERITE INSULATORS: .125 DIA x 3 LENGTH, .040 DIA. HOLES. QUANTITY 5 AND 1, ONE INCH CORDIERITE INSULATOR AT TIP.
- PROTECTION TUBE: NONE
- LEAD LENGTH: 1.00"
- CONNECTORS: STANDARD QUICK-COUPLING, TYPE K, LOW TEMP.
- Ø CALIBRATION: REFERENCE TC 105A



SECTION B-B

SCALE: 3X



HOWMET

THERMOCOUPLE MANUAL

TC Part #: TCK001
 Issued: 02/01/20
 Revision: 5
 Page: 1 of 1